



WAVELIGHT®

MODEL WVL-1 – WATER EFFECT PROJECTOR

FEATURES:

REALISTIC, COMPELLING WATER RIPPLE EFFECT

COMPACT LIGHT WEIGHT FIXTURE

ADJUSTABLE EFFECT SPEED AND VARIABLE FOCUS

EFFECT:

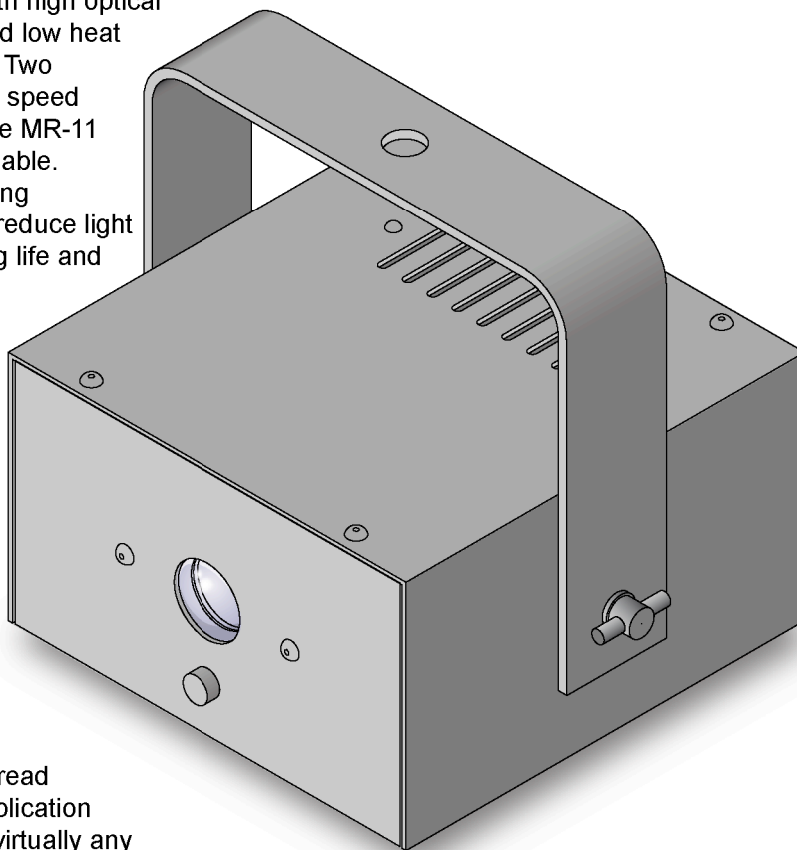
Since its introduction in 1999, the PPS Wavelight has been illuminating, animating and transforming environments, impressing millions of viewers worldwide with convincing and immersive projection. This is the original compact, robust and practical fixture that has become the benchmark for realistic moving water ripple projection.

HARDWARE:

Extremely compact, (6" x 6" x 3.5") with high optical efficiency, wide (53°) beam spread and low heat output. Operates on low voltage AC. Two rotating pattern wheels, adjustable for speed and direction. Adjustable focus. Single MR-11 light source. 20 or 35 watt lamps available. 2000 hour lamp life. Convection cooling eliminates fan noise. Internal baffles reduce light spill. High quality gear motors for long life and smooth, silent operation at all speeds. Built in gel or filter slot.

APPLICATION:

The Wavelight brings the dynamic patterns of rippling water almost anywhere. This fixture allows compelling, realistic, moving pattern projection in places where it hasn't been practical before; in commercial, and residential architecture and themed environments with low ceilings and short throws. The small size, low heat output, silent operation, high optical efficiency, and wide pattern spread of these fixtures allow unobtrusive application either individually, or in arrays to suit virtually any space.



MADE IN THE USA U.S. Patent 5,902,032

© 2007, Precision Projection Systems, Inc. All rights reserved.

The PPS logo is a trademark of Precision Projection Systems, Inc.

Specifications subject to change without notice.

WVL-1-001 Rev 0

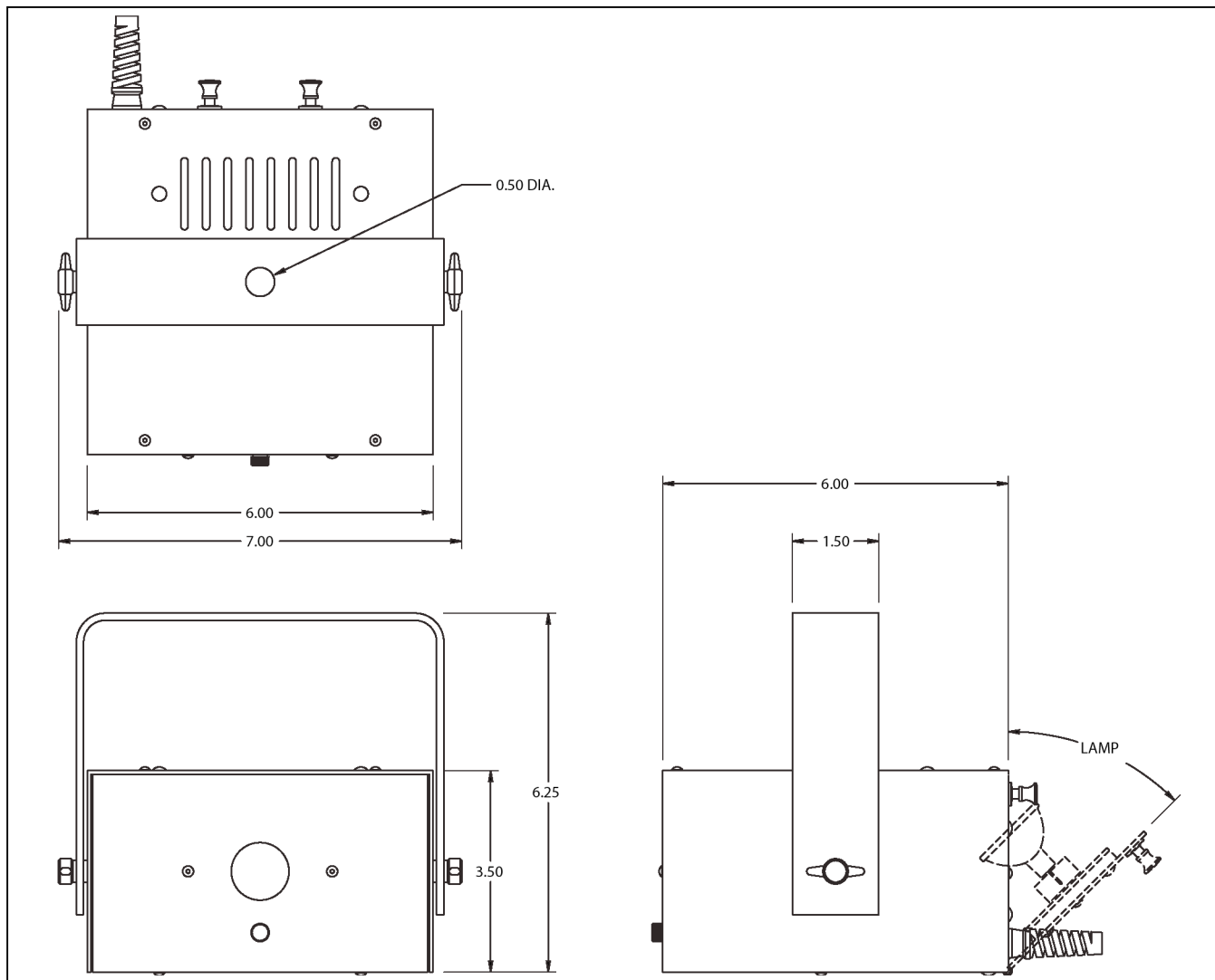
PRECISION PROJECTION SYSTEMS, INCORPORATED

17508 STUDEBAKER ROAD, CERRITOS, CA 90703

562 865-8552 TELEPHONE 562 924-7133 FAX

WEBSITE: www.ppsfx.com EMAIL: info@ppsfx.com

SPECIFICATIONS



MECHANICAL

- Housing: .060" Aluminum
- Finish: Black Anodized or White Powder Coat
- Yoke: 1.5" x .125" Aluminum
- Weight: Fixture 3 lbs (1.36 Kg)
- Transformer 0.5 lbs (227g)

OPTICAL

- Lamp: FTB 20 Watt 12 Volt MR-11
- FTE 35 Watt 12 Volt MR-11
- Effect: Internal Gel/Filter Slot
- Adjustable Focus
- Adjustable Motor Speed & Direction

ELECTRICAL

- Input Voltage: 12 Volts AC @ 3.0 Amp
- (Unit is supplied with a UL Class II
- Electronic Transformer. Input 120 Volts @ 0.5 Amp)

OPTIONS AND ACCESSORIES

- C-Clamp
- External Gel/Filter Mount

