



MODEL BL-48DMX – **ULTRAVIOLET ILLUMINATOR**

FEATURES:

SOLID STATE ULTRAVIOLET ILLUMINATOR, NO HEAT, NO LAMP CHANGES, NO MAINTENANCE
DMX-CONTROLLED INTENSITY AND STROBE RATE, OR FULLY AUTONOMOUS OPERATION
QUALITY CONSTRUCTION, SMALL AND LIGHTWEIGHT, RUGGED AND RELIABLE, 24-VOLT OPERATION

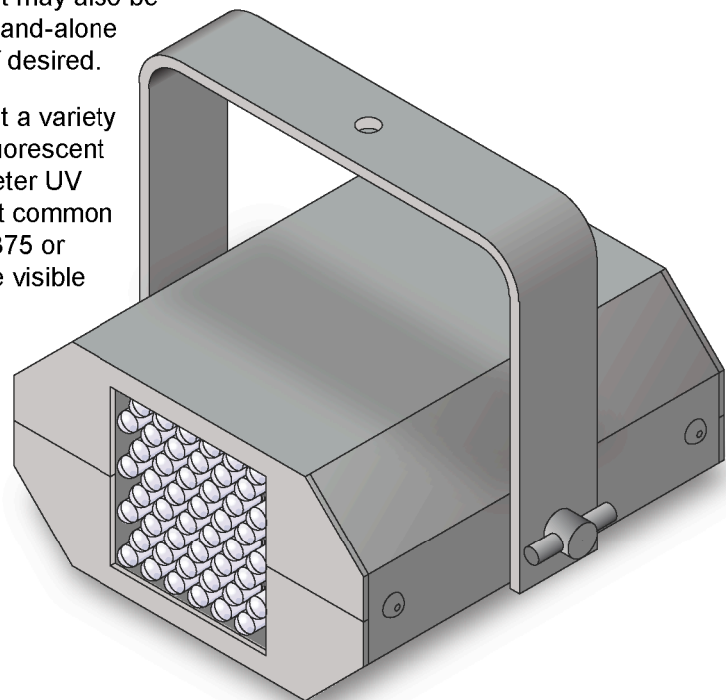
OVERVIEW:

The BL-48DMX Ultraviolet Illuminator is a state-of-the-art lighting instrument based on an array of 48 Ultraviolet LEDs and computer micro-controller. Unlike other UV fixtures, this unit permits ultraviolet effects to be faded or strobed under DMX control. The LED UV devices do not require replacement, produce little or no heat, and are available for both wide-angle and spot-illumination applications.

From one to four channels of DMX-512 data control UV intensity, strobe rate, or other parameters as determined by internal mode settings. The unit may also be operated in manual mode without DMX as a stand-alone fixture with preset intensity and strobe timing if desired.

A range of UV LED options are available to suit a variety of applications. For replacement of existing fluorescent or incandescent UV light sources, 395 nanometer UV LEDs can duplicate the deep blue-violet output common to those fixtures. For pure ultraviolet display, 375 or 365 nanometer LEDs, which produce very little visible light, may be selected.

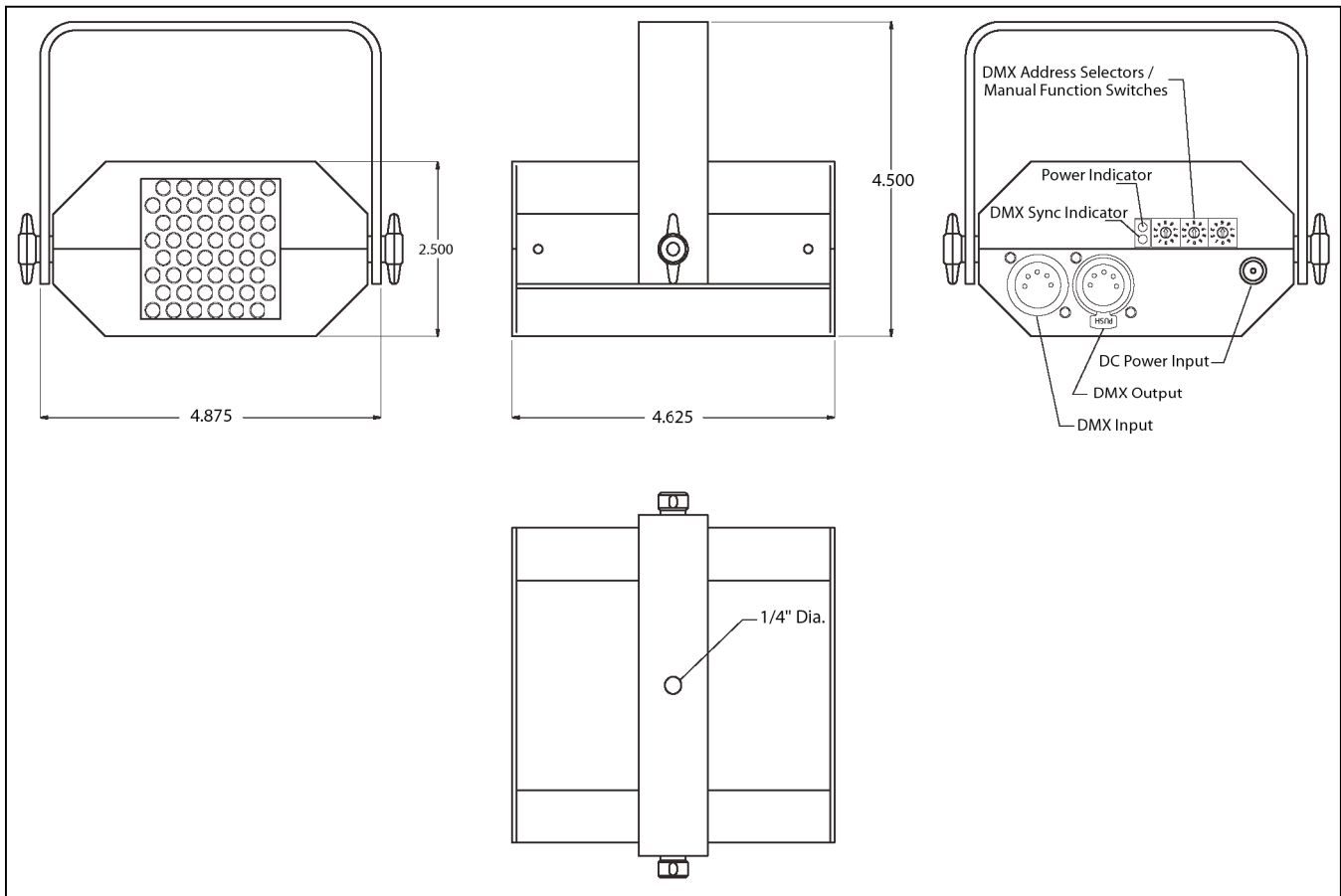
The LED display array is divided into three independent banks, each with a dedicated control channel allowing UV LED sources of different types, or with different dispersion angles to be combined in the same fixture, providing unprecedented flexibility in an ultraviolet fixture. All LED emissions are long wavelength UV-A light, which is not considered a skin or eye hazard.



ADVANTAGES OVER CONVENTIONAL ULTRAVIOLET ILLUMINATORS

Unlimited lifetime Ultraviolet LED light sources eliminate lamp changes
 DMX controlled animation permits fading and strobing of UV effects for the first time
 Small physical size, lightweight, rugged and durable, installs anywhere
 Ultra-low power consumption, less than 12 watts, no heat, no cooling fans, and no noise

SPECIFICATIONS



MECHANICAL

Housing: All Aluminum
 Finish: Black Anodized
 Mount: Any orientation, 1/4" bolt
 Weight: 1 lb (.37 kg)

OPTICAL

LEDs: Ultraviolet Light-Emitting Diodes
 385-395 nanometer UV-A emissions
 1 milliwatt optical power each
 6 x 8 array, in 3 Groups of 16. 48 elements total
 15 degree narrow-angle pattern, or 60 degree wide-angle pattern

ELECTRICAL

Input Voltage: 24 Volts DC @ 1/2 amp
 Power Pack: UL Class II, 100 to 240 VAC
 Control Input: Standard DMX-512, 1 to 4 channels depending on mode setting, with Opto-isolated DMX input and output

CONTROL RANGE

Parameter:	Minimum	Maximum
DMX Intensity	0%	100% in 254 steps
DMX Strobe Rate	1Hz.	Continuous in 254 steps
Manual Intensity	0%	100% in 99 steps
Manual Strobe Rate	1 Hz.	Continuous in 99 steps

APPLICATIONS

Ultraviolet displays and sign illumination
 Ultraviolet set pieces and special effects
 Floats, specialty vehicles, and custom automotive
 Ultraviolet costumes and stage wear

OPTIONS AND ACCESSORIES

60 degree wide-angle LED flood output
 15 degree narrow-angle LED spot output
 "Black Light Blue" UV and deep blue output
 375 nanometer "Pure UV" output
 365 nanometer "Pure UV" output

