

MODEL WVL-2 – **WAVELIGHT 2 PROJECTOR****EFFECT:**

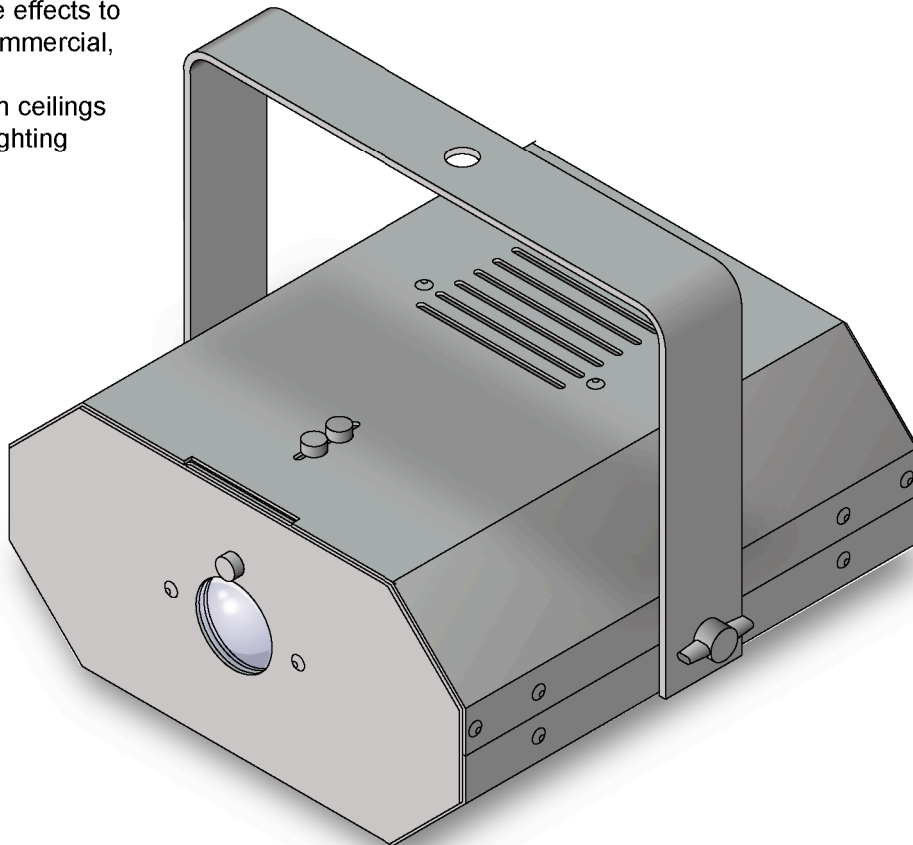
The Wavelight from PPS has been the benchmark for realistic water ripple projection for more than eight years. Now PPS introduces the Wavelight 2, using the same patented optical system and delivering the same convincing, moving simulation of water ripple as the original, but with increased output, plus longer lamp and effect motor life.

HARDWARE:

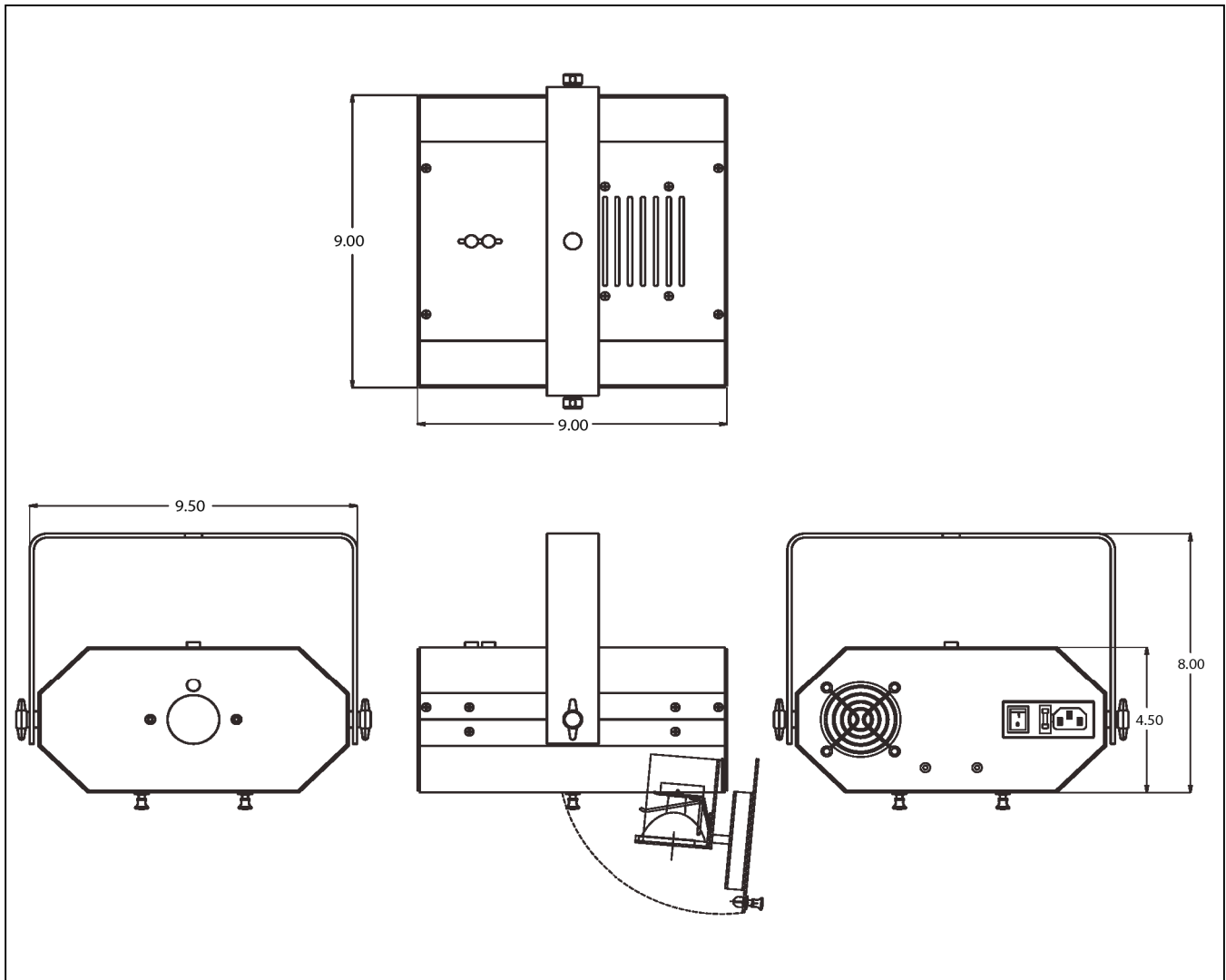
Compact (9" x 9" x 4.5") and lightweight (5 lbs), with high optical efficiency, wide (45°) beamspread and low thermal output. Operates on 120 volt AC. Two rotating pattern wheels. Single 12 volt MR-16 light source with built in electronic ballast. Lamp wattage up to 75 Watts available. Lamp life up to 18,000 hours (50 Watt). Nearly silent high-efficiency cooling fan. Internal baffles for reduced light spill. Brushless AC synchronous gearmotors for long life and smooth pattern motion. Adjustable focus. Built in gel or filter slot.

APPLICATION:

The Wavelight 2 can bring brilliant, immersing water ripple effects to architectural, retail, commercial, theatrical, and themed environments with high ceilings and greater ambient lighting levels.



SPECIFICATIONS



MECHANICAL

Housing: .060" Aluminum
 Finish: Black Anodized
 Yoke: 1.5" x .125" Aluminum
 .5" Dia. Mounting hole
 Weight: Fixture 5 lbs (2.27 Kg)

OPTICAL

Lamp: EYF 75 Watt 12 Volt MR-16, 5000 Hr Life
 EXT 50 Watt 12 Volt MR-16, 18,000 Hr Life
 (Optional)
 Effect: Internal Gel/Filter Slot
 Adjustable Focus

ELECTRICAL

Input Voltage: 120 Volts 60 Hz AC @ 1.0 Amp
 Fuse: 1.6A Externally Accessible
 Ballast: Internal Electronic, Output 12 Volts AC @
 75 Watts Maximum, Dimmable
 Certification: UL 1573, ETL Listed

OPTIONS AND ACCESSORIES

C-Clamp
 External Gel/Filter Mount

