



## MODEL FL-1 – FIRE EFFECT PROJECTOR

### FEATURES:

**HIGHLY REALISTIC FLAME OR FIRE EFFECT PROJECTION**

**COMPACT, LIGHT WEIGHT UNIT**

**ADJUSTABLE EFFECTS SPEED AND VARIABLE FOCUS**

### EFFECT:

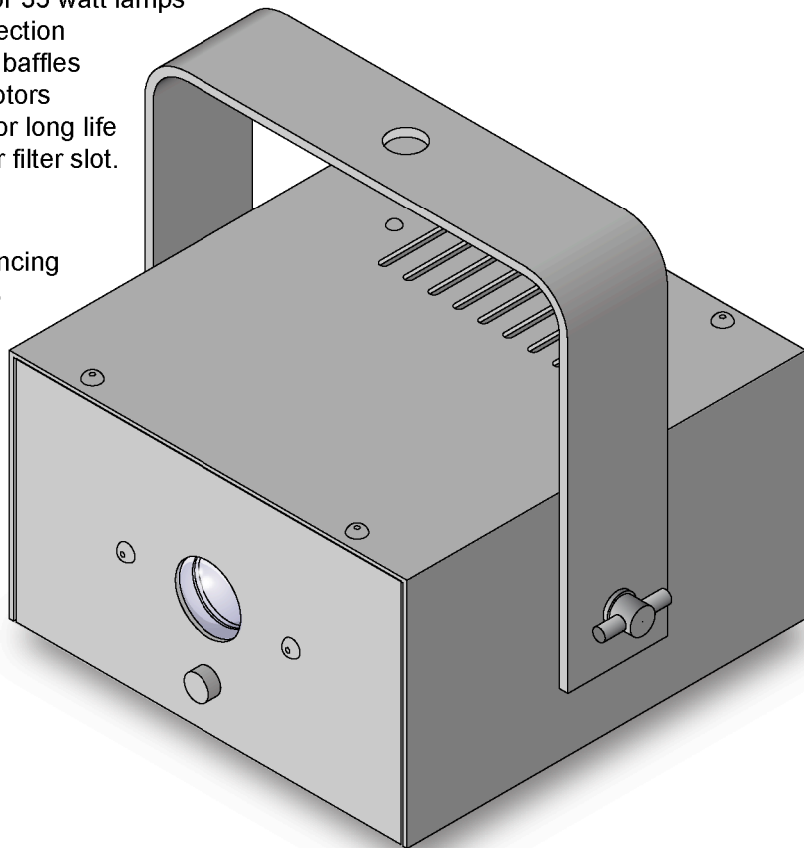
Based on the patented optical principles of the PPS Wavelight®, the PPS Firelight now brings exciting new dimensions in the simulation of moving flames and fire.

### HARDWARE:

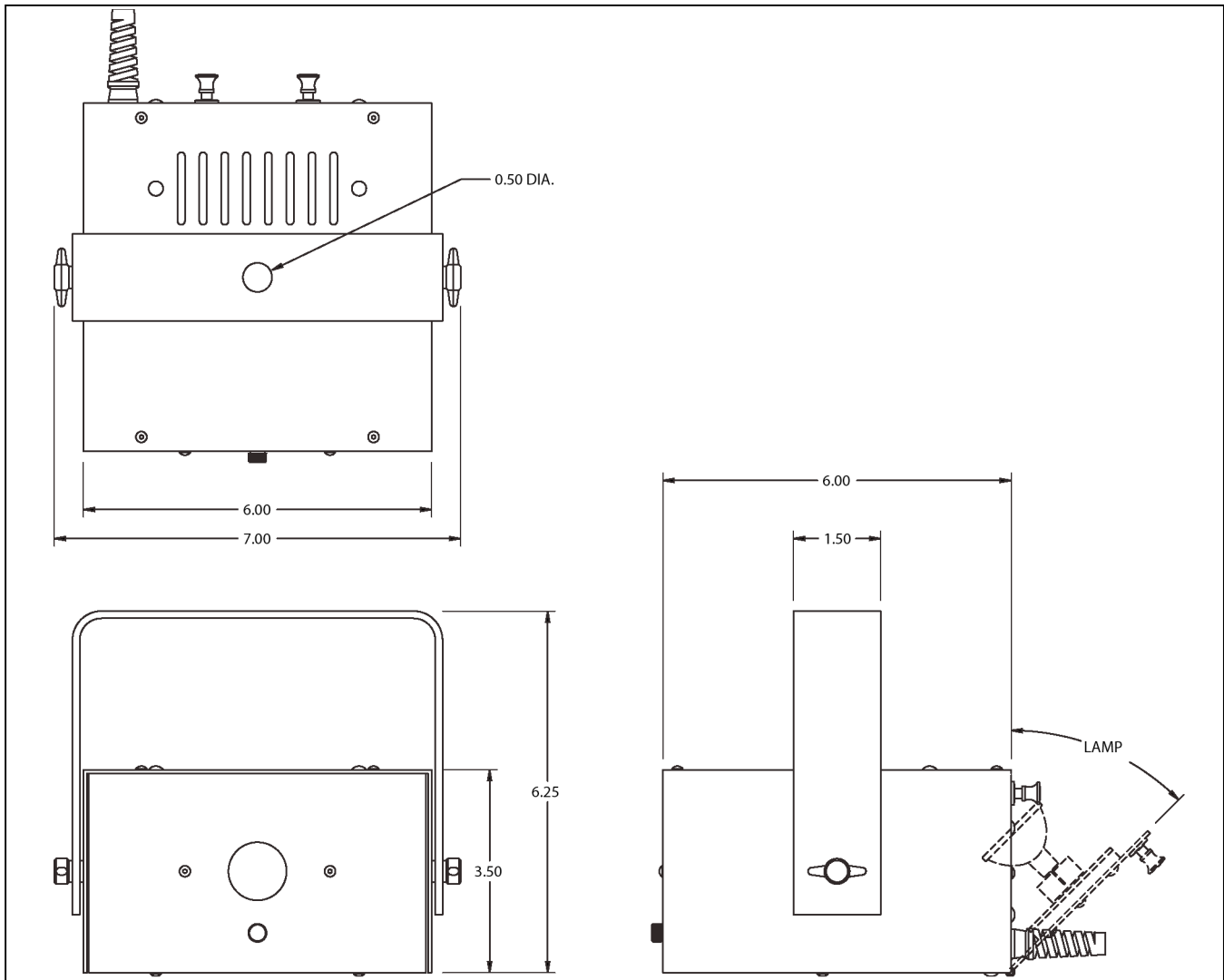
Extremely compact, (6" x 6" x 3.5") with high optical efficiency, wide beam spread and low heat output. Operates on low voltage AC. Two rotating pattern wheels, adjustable for speed and direction. Adjustable focus. Single MR-11 light source. 20 or 35 watt lamps available. 2000 hour lamp life. Convection cooling eliminates fan noise. Internal baffles reduce light spill. High quality gearmotors optimized to fire effect requirements for long life and smooth operation. Built in gel or filter slot.

### APPLICATION:

The Firelight can bring realistic, convincing flame effects to props and displays as well as to architectural, and special effects environments, even when space is limited. The fixture's compact dimensions, high optical efficiency, wide pattern spread and silent operation allow unobtrusive application suited to a wide variety of spaces and conditions.



**SPECIFICATIONS**



**MECHANICAL**

- Housing: .060" Aluminum
- Finish: Black Anodized or White Powder Coat
- Yoke: 1.5" x .125" Aluminum
- Weight: Fixture 3 lbs (1.36 Kg)  
Transformer 0.5 lbs (227g)

**OPTICAL**

- Lamp: FTB 20 Watt 12 Volt MR-11  
FTE 35 Watt 12 Volt MR-11
- Effect: Internal Gel/Filter Slot  
Adjustable Focus  
Adjustable Motor Speed & Direction

**ELECTRICAL**

- Input Voltage: 12 Volts AC @ 3.0 Amp  
(Unit is supplied with a UL Class II  
Electronic Transformer. Input 120 Volts @ 0.5 Amp)

**OPTIONS AND ACCESSORIES**

- C-Clamp
- External Gel/Filter Mount

